



# 5.8 cu. ft. Slide-In Gas Range

## KSGG700E



Black Stainless Steel with PrintShield™ Finish  
KSGG700EBS

### Also available in:

 Stainless Steel **KSGG700ESS**

### Capacity

Oven 5.8 cu. ft.

### General Features & Properties

5 Burners

EasyConvect™ Conversion

FIT System Limited Guarantee\*

AquaLift®

Storage Drawer

Glass Touch Controls

Continuous Interlocking Grates

Side Trim Accessory Kit

### Electrical Details

Amps 15

Volts 120

### Certifications

ADA Compliant Yes

### Technical Details

Fuel Type Gas

Range Type Slide-In Single Oven

Oven Cooking System True Convection

Number of Oven Racks 3

Cleaning Type AquaLift® Self-Clean

Number of Burners 5

Burner Type Sealed Burners

Burner Power (1) 5000 BTU  
(1) 8000 BTU  
(1) 9200 BTU  
(1) 15,000 BTU  
(1) 17,000 BTU

### Dimensions

Product Dimensions (H x W x D) 36" x 29-7/8" x 28-7/8"

Depth with Door Open 90° 48-3/4"

Cutout Width 30"

### Reference Material

[Dimension Guide](#)

[Install Guide](#)

[Use & Care Guide](#)

[Warranty](#)

### Key Features & Benefits

#### Even-Heat™ True Convection

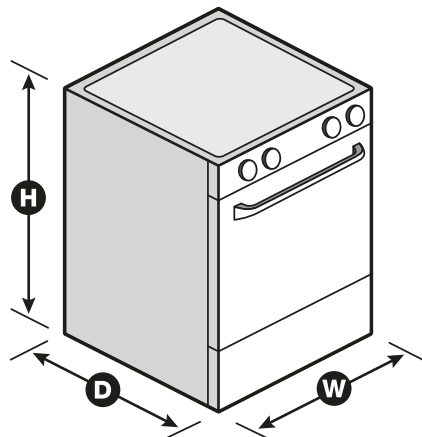
The unique bow-tie design and convection fan ensure the inside of the entire oven is heated to, and stays at, the perfect temperature.

#### Steam Rack

Offers the ability to provide additional moisture to the inside of the oven, enhancing cooking results.

#### 5.8 Cu. Ft. Capacity

This gas slide-in range provides a large cooking capacity that's perfect for multiple dishes at once.



\*Visit kitchenaid.com for complete details. NOTE: Dimensions are for planning purposes only. For complete details, see Installation Instructions packed with product. Specifications subject to change without notice.