



5.1 cu. ft. Gas Range

AGR5330BA



Stainless Steel
AGR5330BAS

Also available in:

- White **AGR5330BAW**
- Black **AGR5330BAB**

Capacity

Oven	5.1 cu. ft.
------	-------------

General Features & Properties

Temp Assure™ Cooking System
Extra-Large Oven Window
EasyAccess™ Broiler Door
SpillSaver™ Upswept Cooktop
Oven Lockout
Sealed Burners

Electrical Details

Amps	15
Volts	120

Technical Details

Fuel Type	Gas
Range Type	Freestanding
Oven Cooking System	Thermal
Number of Oven Racks	2
Cleaning Type	Manual Clean
Number of Burners	4
Burner Type	Sealed Burners
Burner Size/Power	(1) 11,500 BTU (3) 9500 BTU

Dimensions

Product Dimensions (H x W x D)	46-1/4" x 29-7/8" x 27-1/4"
Depth with Door Open 90°	45-1/4"
Cutout Width	30-1/8"

Reference Material

- [Dimension Guide](#)
- [Install Guide](#)
- [Use & Care Guide](#)
- [Warranty](#)

Key Features & Benefits

Large Oven Capacity

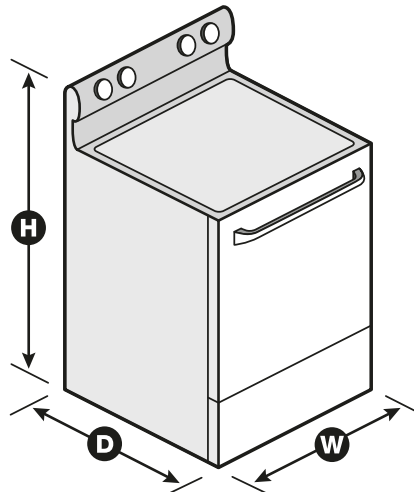
Large Oven Capacity gives you the space you need to make dinner and dessert at the same time.

Versatile Cooktop

Our Versatile Cooktop features multiple burner options that provide up to 11,500 BTUs, helping you cook your favorites all at once.

Easy Touch Electronic Controls

It's smooth sailing on casserole night when you can set bake or broil temperatures with our Easy Touch Electronic Controls.



NOTE: Dimensions are for planning purposes only. For complete details, see Installation Instructions packed with product. Specifications subject to change without notice.

®/™ © 2020. All rights reserved. Printed in the U.S.A. D200052XXB. AGR5330BASPECSHEETV01.